



Zoned Process Waste Tank

This small process waste tank was made by Kent Stainless in 2019. We manufactured a single contained tank—but the double containment was created by the client on site in a secondary concrete sump.

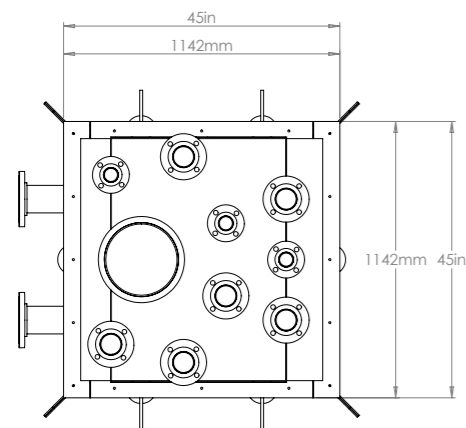
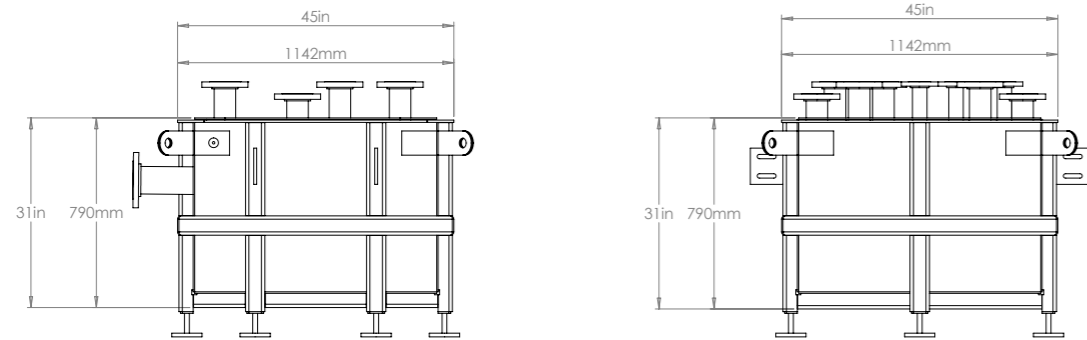
This was designed to take waste from a 20m long (65ft) channel or trench drain in addition to run off from a machine nearby. 27 units like this were supplied to the project ranging from 650 L (171 US Gallon) to 2000 L (530 US Gallon).

The tank measures 1142mm long x 1142mm wide x 790 high (45in x 45in x 31in). The sump is made from 6mm thick grade 316L stainless steel and has a 1000 litre capacity.

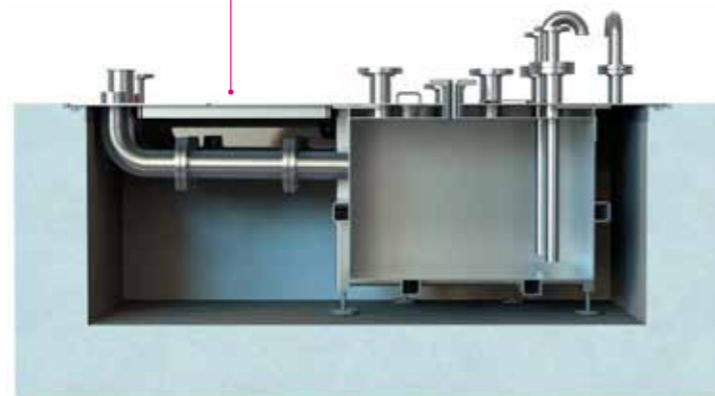
The tank has side lugs fully welded which then can mechanically fix onto side lugs of the angle frame which is installed first.

INDUSTRIES

- BioPharma
- Food & Beverage
- Pharmaceutical



Mechanically fixed chequer plate round tank conceals secondary concrete containment



Height	Width	Length	Weight	Volume
790mm	1142mm	1142mm	1,000kg	1,000 L
31in	45in	45in	2,200lb	232 US Gallon

