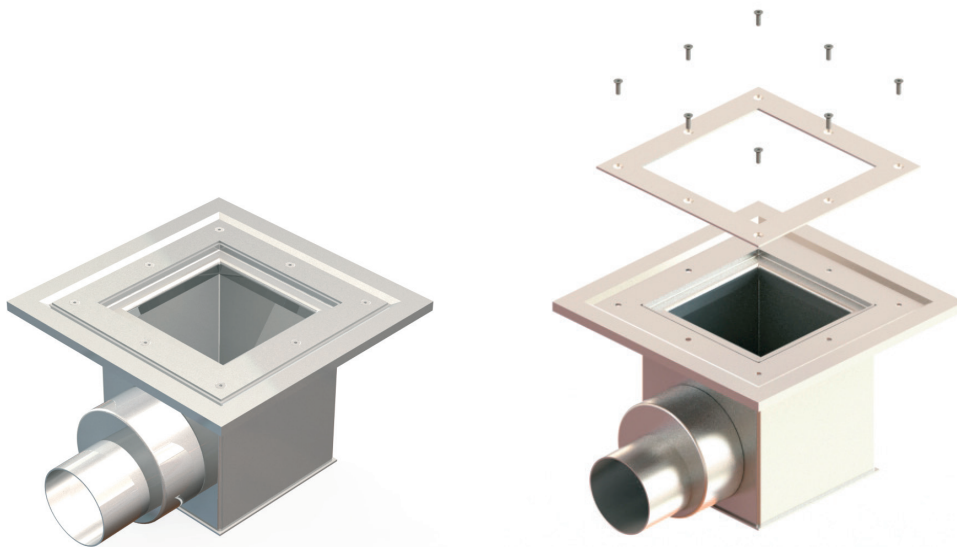


KENT KH215/110V

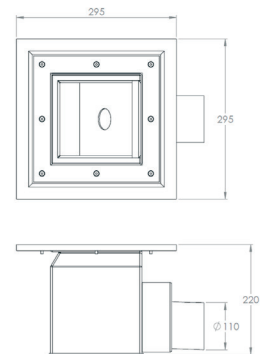
The KH215/110V Gully is the Vinyl Edge variation of our standard KH215/110 Side Outlet Gully. They are designed for use primarily in Food/Beverage/Pharmaceutical factories. They are low cost, normally ex stock. While the construction of this gully body is heavy duty, in reality most vinyl floor areas are only trafficked by pedestrians so this is most often chosen with a pedestrian loading cover. The KH215/110V standard gully is best suited to 3mm thick covers that are made to sit in a 10mm recess (Perforated Gratings, Slotted Gratings). The KH215/110DSV version of this gully (DS = Deep Swage) takes all 25mm deep gratings offered by Kent (most often Mesh, Heelproof Mesh Gratings). In most cases a 110mm or 160mm outlet is required, but this can easily be substituted for a 4" or 6" SCH10 outlet pipe. It is trapped as standard with the Kent Weir Trap.

Features

- Grade 304 (1.4301) or 316 (1.4401) Stainless Steel to BS EN 10088
- Low Cost
- Strong
- Short lead time
- Usable in both heavy and light duty areas
- Suitable for internal factory drainage and other areas using flexible flooring



Product Code	Height	Width	Depth	Outlet	Swage	Flange	Flow Rate*
KH215/110V	220	215	215	110	10	40	4.42 l/s
KH215/110DSV	235	215	215	110	25	40	4.75 l/s
KH315/110V	220	315	315	110	10	40	4.42 l/s
KH315/110DSV	235	315	315	110	25	40	4.75 l/s
KH315/160V	269	315	315	160	10	40	9.10 l/s
KH315/160DSV	284	315	315	160	25	40	9.85 l/s



* flow rate is also dependant on grating chosen

Specify: Kent KH215/110V trapped industrial side outlet gully for vinyl floor; 215mm x 215mm; grade 304 stainless steel; complete with _____ grating.

Choose the product code from the dimensions table above.
Add specification options from Page 10-12.

Choose Grating from page 83-92

BS EN1253 Loading Class L15 / R50 / M125 / N250 / P400

This gully is most often matched with an L15 loading grating. It can be subjected to very heavy loads but must have the correct heavy duty grating to achieve these loads and the standard KH215/110 Gully would be more suitable for these areas.