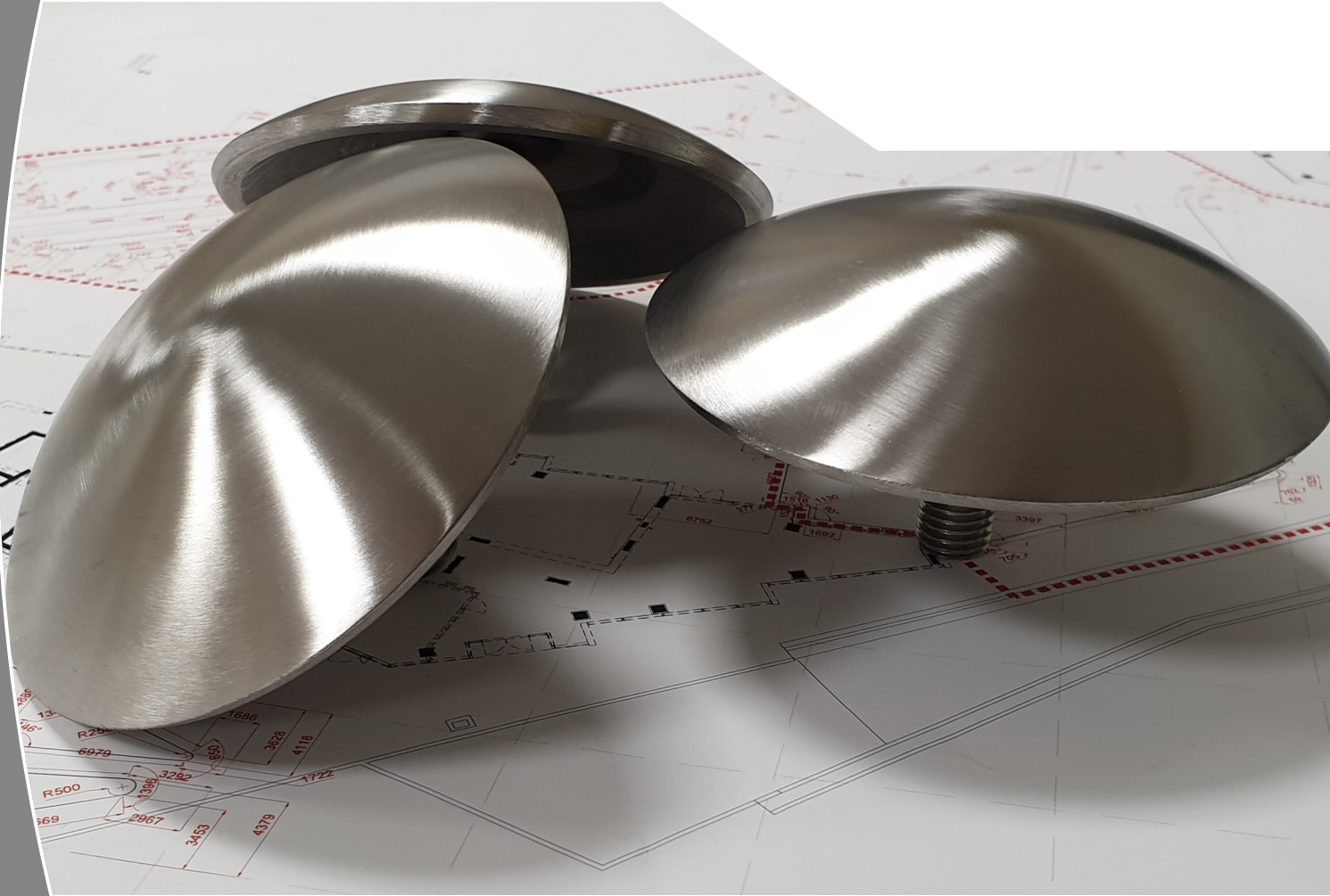


Kent Domed Road Stud



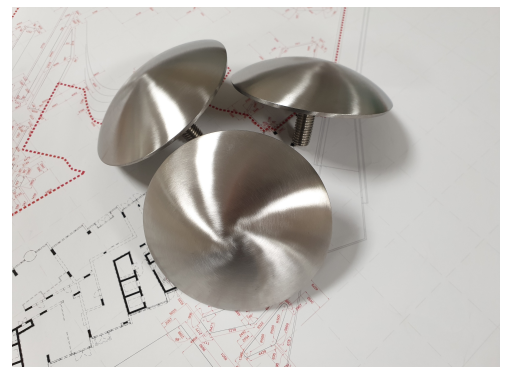
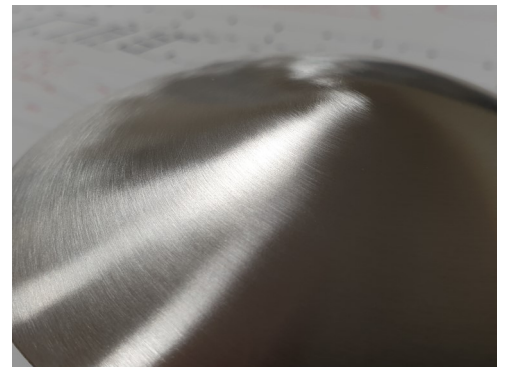
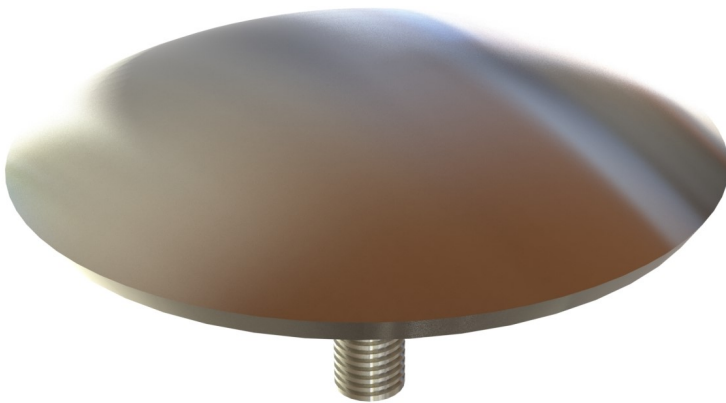
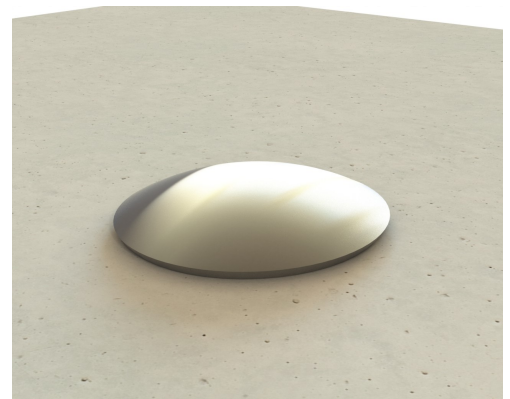
**KENT DOMED ROAD STUD (KDRS/100/50/12)**

The Kent Domed Road Stud KDRS100 is used mainly in car park areas to mark out spaces, it is a very modern and innovative design. The stud is manufactured from Grade 316L Stainless Steel with a Satin finish 320 Grit Polished finish.

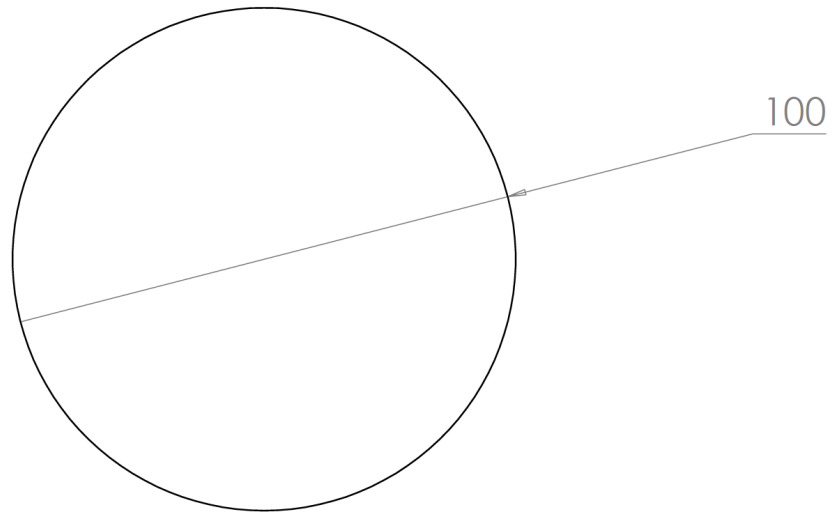
It has an overall diameter of 100mm, this makes it easily visible for pedestrians and oncoming drivers. The stud comes with a dome top as standard.

Features:

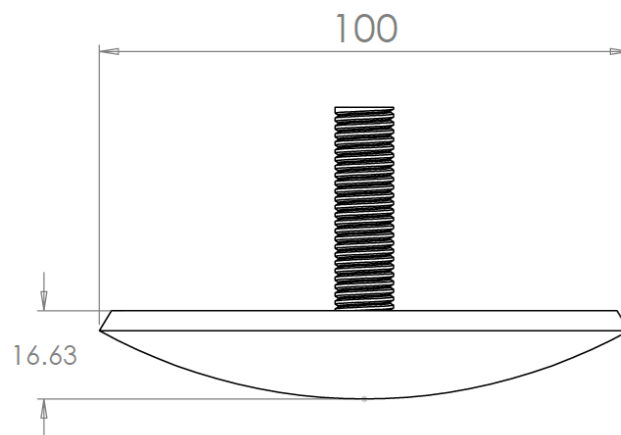
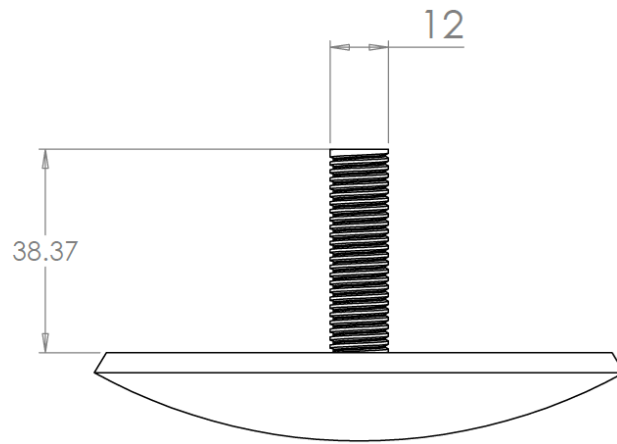
- Underfoot warning to identify hazards and dangerous areas
- Grade 316 Stainless steel
- Easy Installation
- 100mm overall diameter
- Satin Finish 320 Grit Polished



KENT DOMED ROAD STUD (KDRS/100/50/12)



Product Code	Height	Diameter	Stud Diameter
Kent Domed Road Stud KDRS/100/50/12	50mm	100mm	12mm





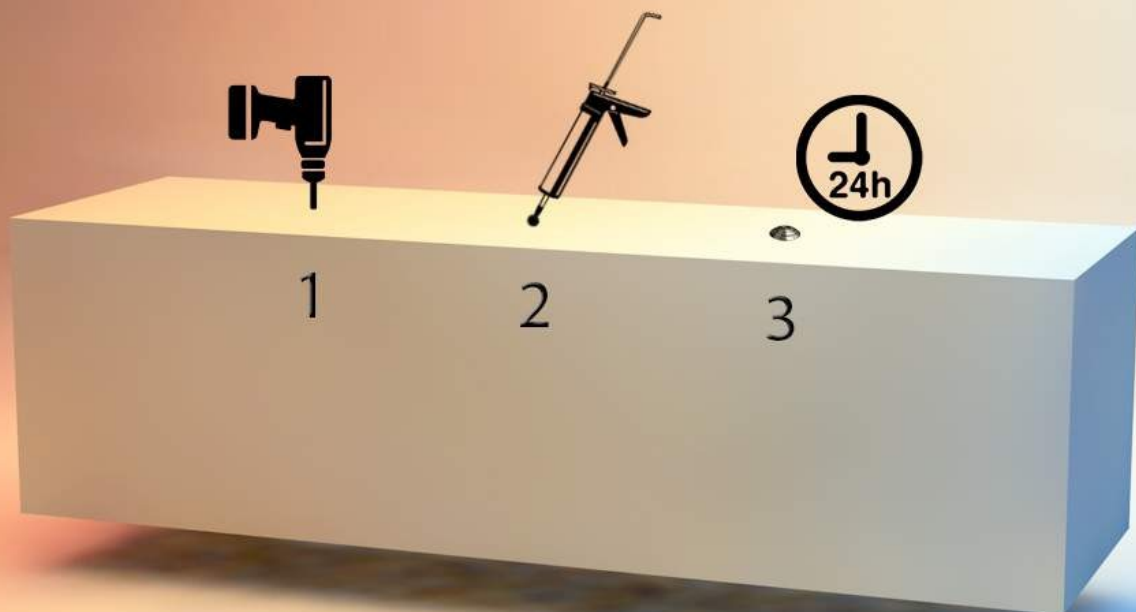
Installation of Studs

Step 1: Drill a 12mm Diameter hole 40mm deep

Step 2: Clean out the drilled hole

Step 3: Fill with chemical mortar (Kent Stainless recommend MIT-SE Mortar)

Step 4: Insert the studs and leave to set for 24 hours



Maintenance of Stainless Steel

Clean the stainless steel components using warm water with a mild detergent with a non-abrasive cloth or sponge. Heavier stains may require the use of a nylon-scouring pad or a stainless steel cleaner.

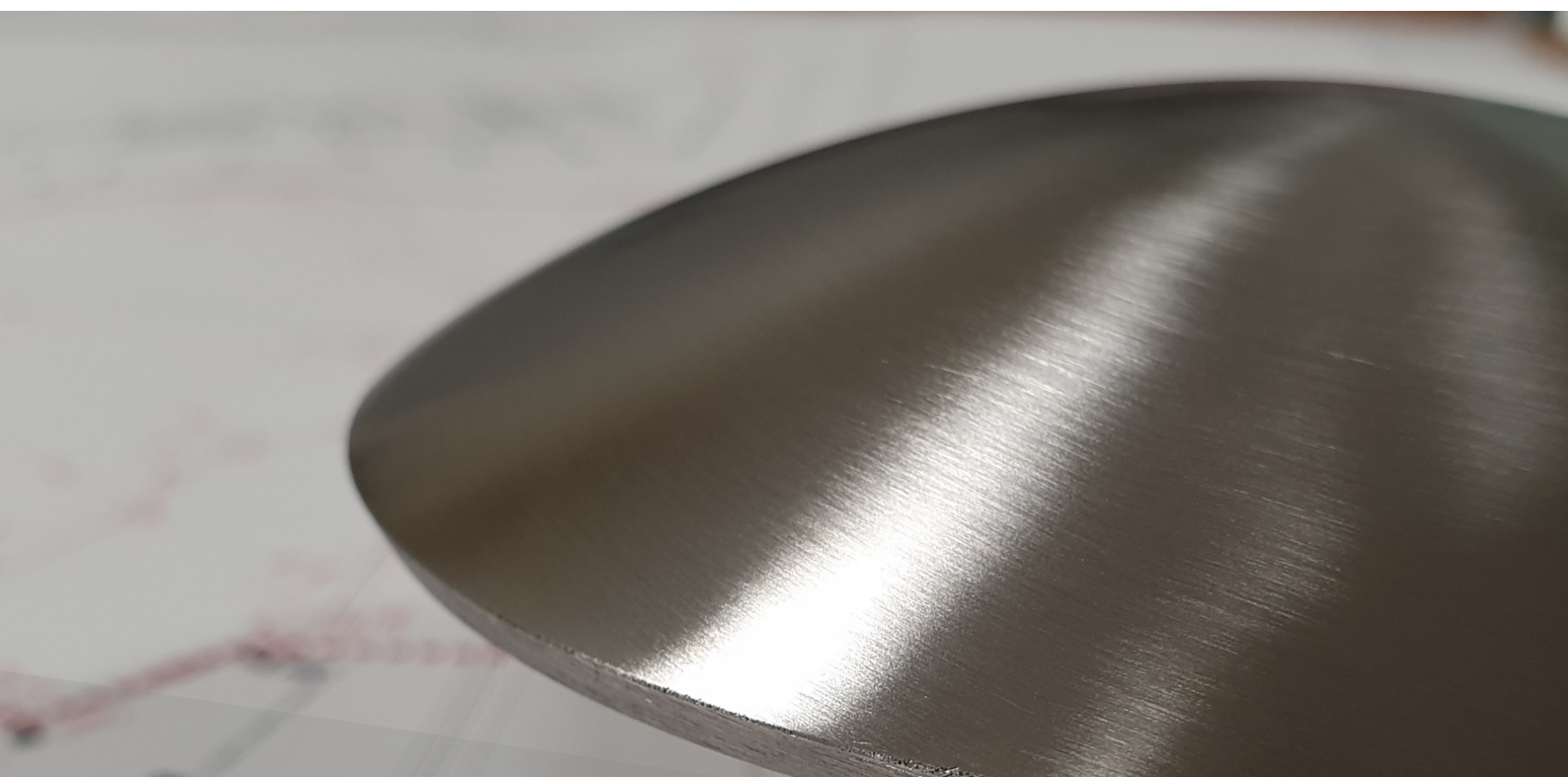
To remove paint or graffiti use a cloth and Alkaline or solvent paint strippers according to type of paint. In the case of a bead blasted finish, where abrasive cleaning is required, always use a random circular rubbing action with a cloth.

In the case of brushed finishes the surface consists of uniform fine 'scratches' running in one direction so where abrasive cleaning is required always use a straight back and forward rubbing action in the direction of the grain using soap and warm water.

Rust spots or 'tea stains' can occur on the surface of the material, these are normally caused by contamination from ordinary mild steel, particularly in areas where construction work has been undertaken. Such stains can be removed using Rust Remover 410.

In cases where the surface is severely stained because of severe environmental conditions or scratched due to misuse, it may still be possible to restore the original finish using chemicals such as Oxalic Acid solution. There are many stainless steel polishes available to enhance the surface finish.

We recommend Mister Stainless Ltd. as a provider for stainless steel cleaning products.





KENT DOMED ROAD STUD (KDRS/100/50/12)

Specify

Customise your diameter,

*Or go with our standard
100mm diameter*

Specify:

Kent Domed Road Stud KSDR/100/50/12; 100mm diameter; 12mm diameter threaded bar; Grade 316L Stainless Steel; Satin Finish 320 Grit Polished

Choose your steel:

*Grade 304 Stainless steel
Grade 316 Stainless steel*

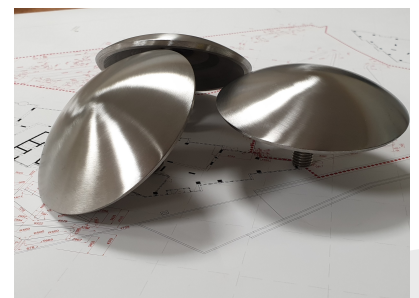
Options

Domed Top

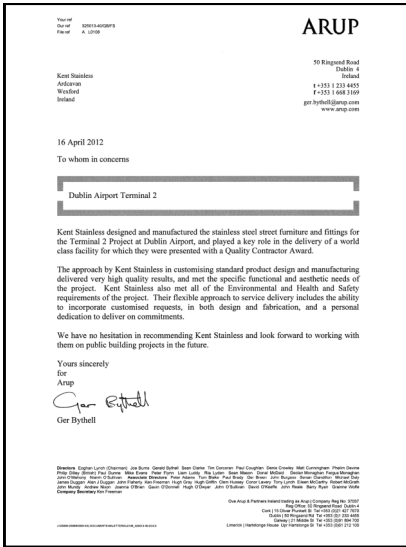
Flat Top

Grade 304 Stainless Steel

Grade 316 Stainless Steel



Testimonials



“We have no hesitation in recommending Kent Stainless and look forward to working with them on public building projects in the future”

- ARUP



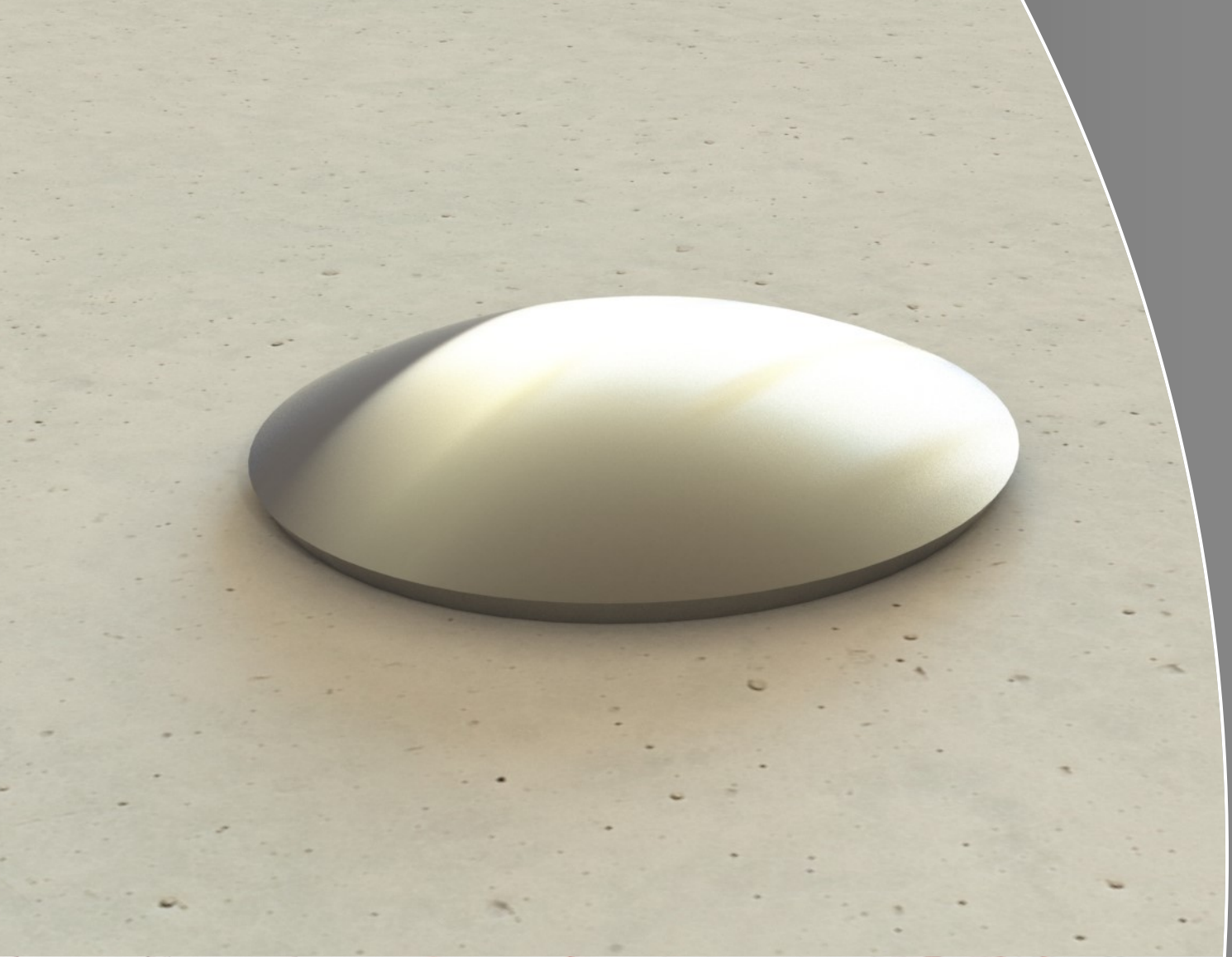
“ Kent Stainless scored highly in all regards again”

- BAM



“ Your timely delivery and seamless integration with main contractor Skanska made the overall project a huge success ”

- Forward Swindon



Kent
STAINLESS

Kent Stainless Ltd
Ardcavan, Wexford, Ireland