



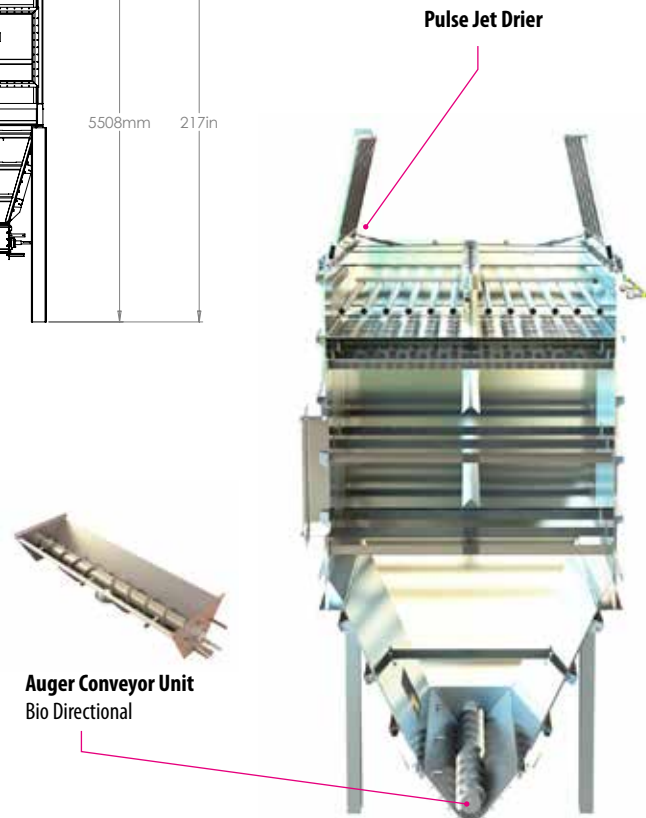
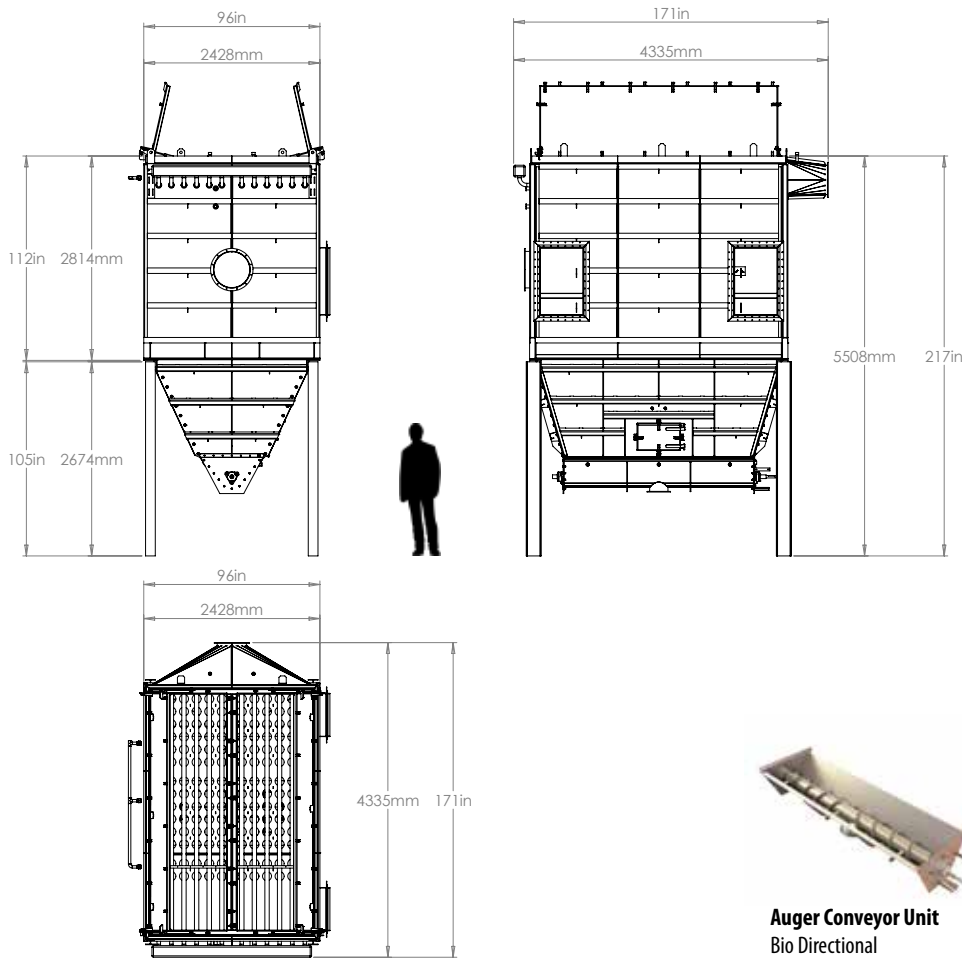
Pulse Jet Drier Filter Tank

Kent Stainless manufactured this Pulse Jet Drier Filter for a municipal wastewater treatment project in 2018.

Installed adjacent to a sewage sludge drier, it was designed to filter the drier's air exhaust. It incorporates 2 Explosion Relief Hatches, Hinged Access Covers and a Back Pulse Filter Cleaning Auger to empty filter dust.

The overall height needed for the tank, hopper and leg supports is 4335mm long x 2428mm wide x 5508mm high (171in x 96in x 217in). The tank is made from 5mm thick Duplex stainless steel and was fitted to the lower hopper and to the beam support legs mechanically on site.

- INDUSTRIES**
- BioPharma
 - Food & Beverage
 - Pharmaceutical
 - Wastewater
 - Municipal Wastewater



Height	Width	Length	Weight
5508mm	2428mm	4335mm	8,000kg
217in	96in	171in	17,600lb

