

# Kent Coffin Bollard



**Kent**  
STAINLESS

**KENT COFFIN BOLLARD - KCB101/3/FT****Specify:**

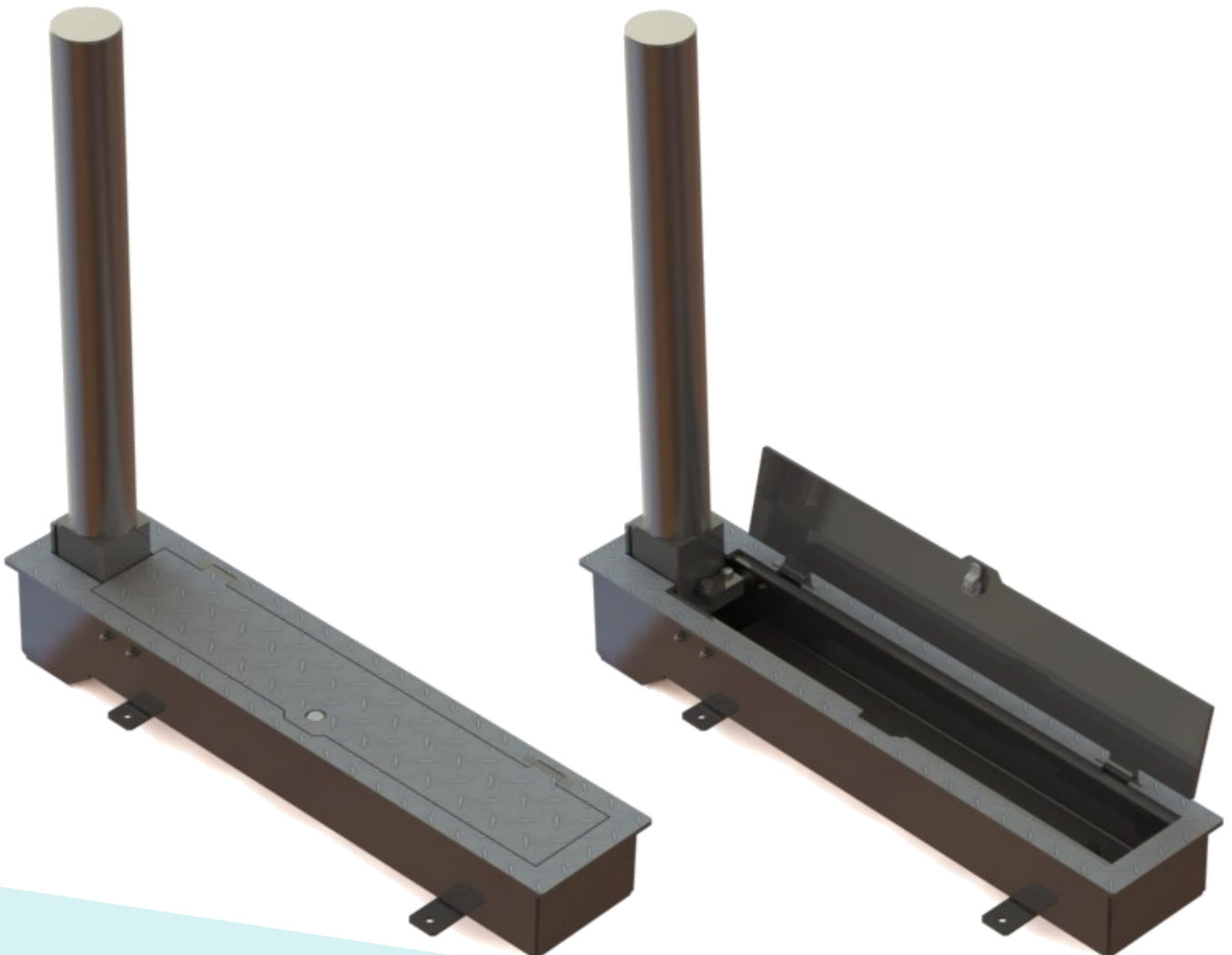
Kent Coffin Bollard KCB101/3/FT; Kent Coffin Bollard KCB-KFTB-101/3; 900mm Overall Height above GL; 3mm thick wall; Grade 316L Stainless Steel; Bright Satin finish; 174mm deep storage chamber; B125 Chequer loading lid.

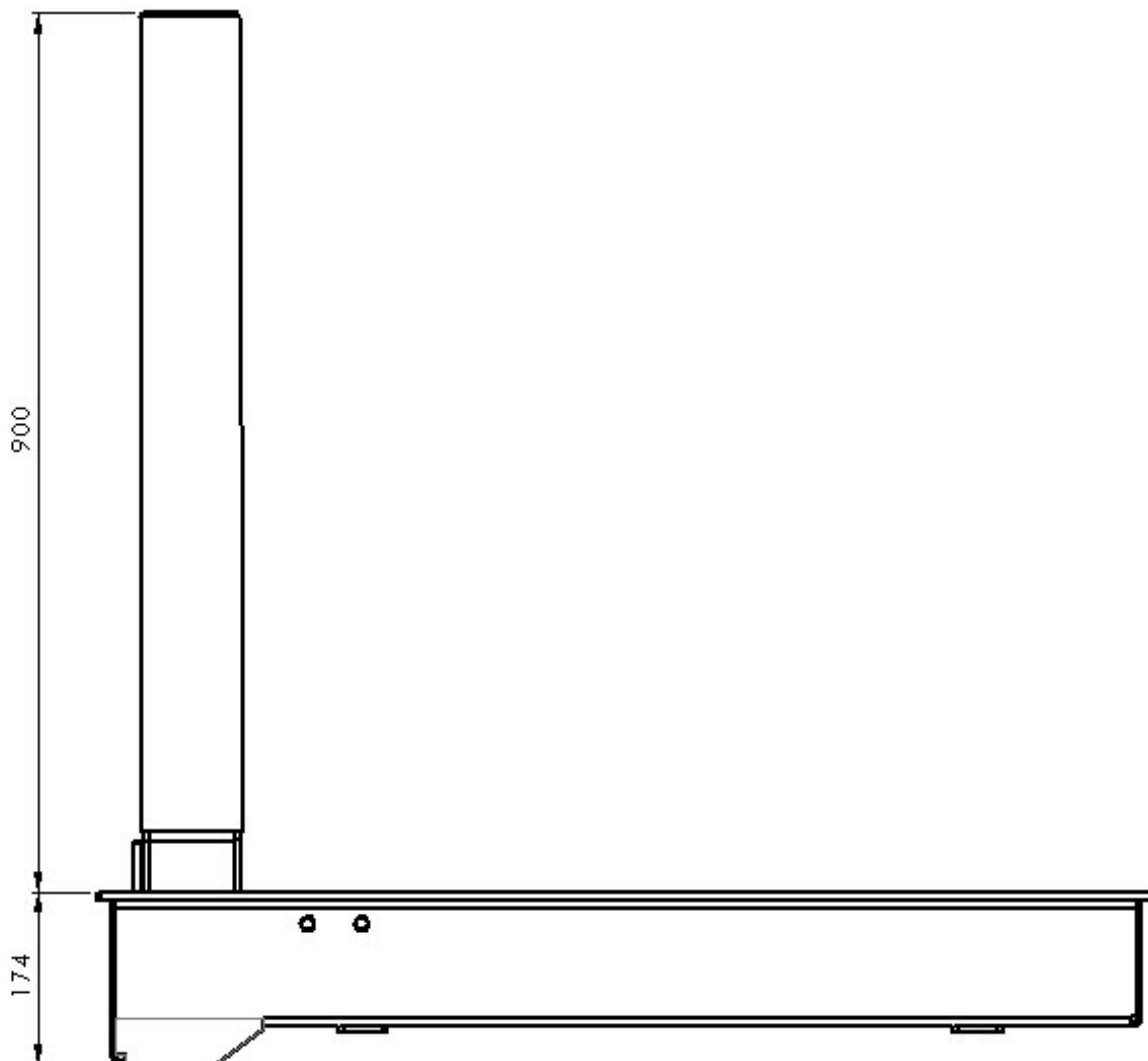
**Description:**

The Kent Coffin Bollard is manufactured from Grade 316L Stainless Steel, 101mm diameter with a 3mm thick wall. It has a Bright Satin Finish as standard. The standard Height above GL is 900mm with a 174mm deep Coffin. The Coffin itself is . The lid of the chamber is manufactured for B125 loading. The cover is Chequer Plate for slip resistance and the chamber contains a drainage outlet connection. The Dome Top Bollard (KDTB-101/3) can be changed to suit to other Bollard options.

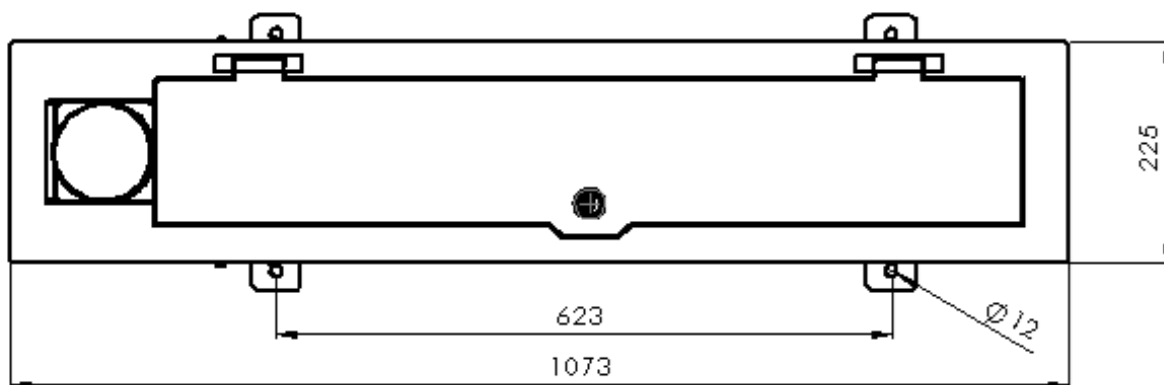
**Features:**

- Grade 316 Stainless steel
- Fits 101mm dia Bollard
- Easily detached from Coffin if damaged
- Satin Finish 320 Grit Polish
- Chequer plate top on Coffin
- Multiple Bollard caps available





Product Code	Height Above GL	Depth	Width	Length	Bollard Dia
Kent Coffin Bollard - KCB101/3/FT	900mm	174mm	225mm	1073mm	101mm





**KENT COFFIN BOLLARD - KCB101/3/FT**

**Specify:**

**Coffin Specification:**

Kent Coffin Bollard - KCB 101/3/FT; 225mm Width, 1074mm Height, 1073mm Length;

**Bollard Specification:**

Bollard 101/3/FT, 101mm Dia, FT( Flat Top), Two x 15mm Recessed Reflective Strips, Satin Finish, Grade 316 Stainless Steel

**Choose your finish:**

Satin Finish,  
Satin 320 Grit Polish,  
Bead Blasted,  
Powder Coated

**Pick your Top:**

Dome Top,  
Flat Top,

**Customise your Bollard:**

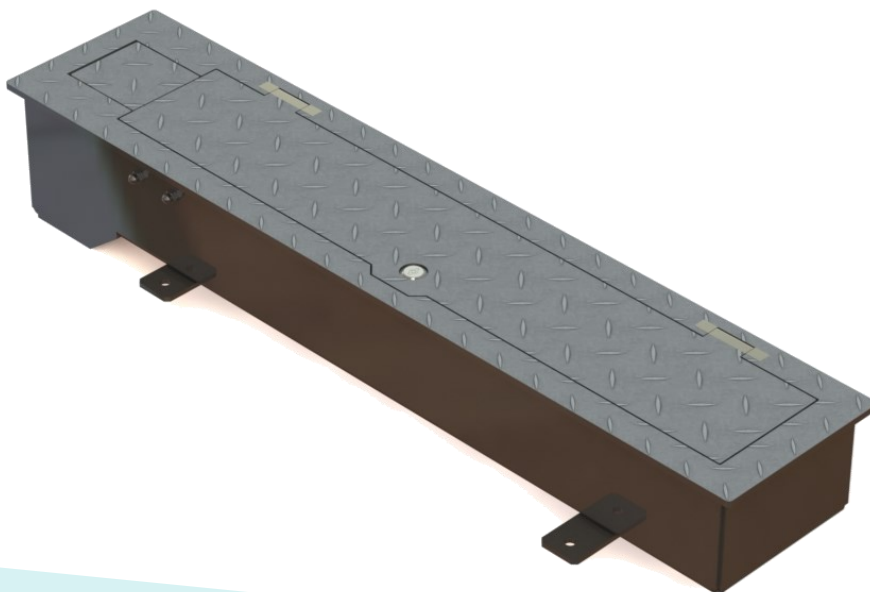
Choose between Recessed or  
Stick on 15mm or 25mm  
Reflective Strips.  
Any Colour can be provided

**Grade of Stainless Steel:**

304 Stainless Steel  
316 Stainless Steel



25mm Recessed Reflective Strip, Half Red and White Diamond Grade Tape



## Maintenance of Stainless Steel

Clean the stainless steel components using warm water with a mild detergent with a non-abrasive cloth or sponge. Heavier stains may require the use of a nylon-scouring pad or a stainless steel cleaner.

To remove paint or graffiti use a cloth and Alkaline or solvent paint strippers according to type of paint. In the case of a bead blasted finish, where abrasive cleaning is required, always use a random circular rubbing action with a cloth.

In the case of brushed finishes the surface consists of uniform fine 'scratches' running in one direction so where abrasive cleaning is required always use a straight back and forward rubbing action in the direction of the grain using soap and warm water.

Rust spots or 'tea stains' can occur on the surface of the material, these are normally caused by contamination from ordinary mild steel, particularly in areas where construction work has been undertaken. Such stains can be removed using Rust Remover 410.

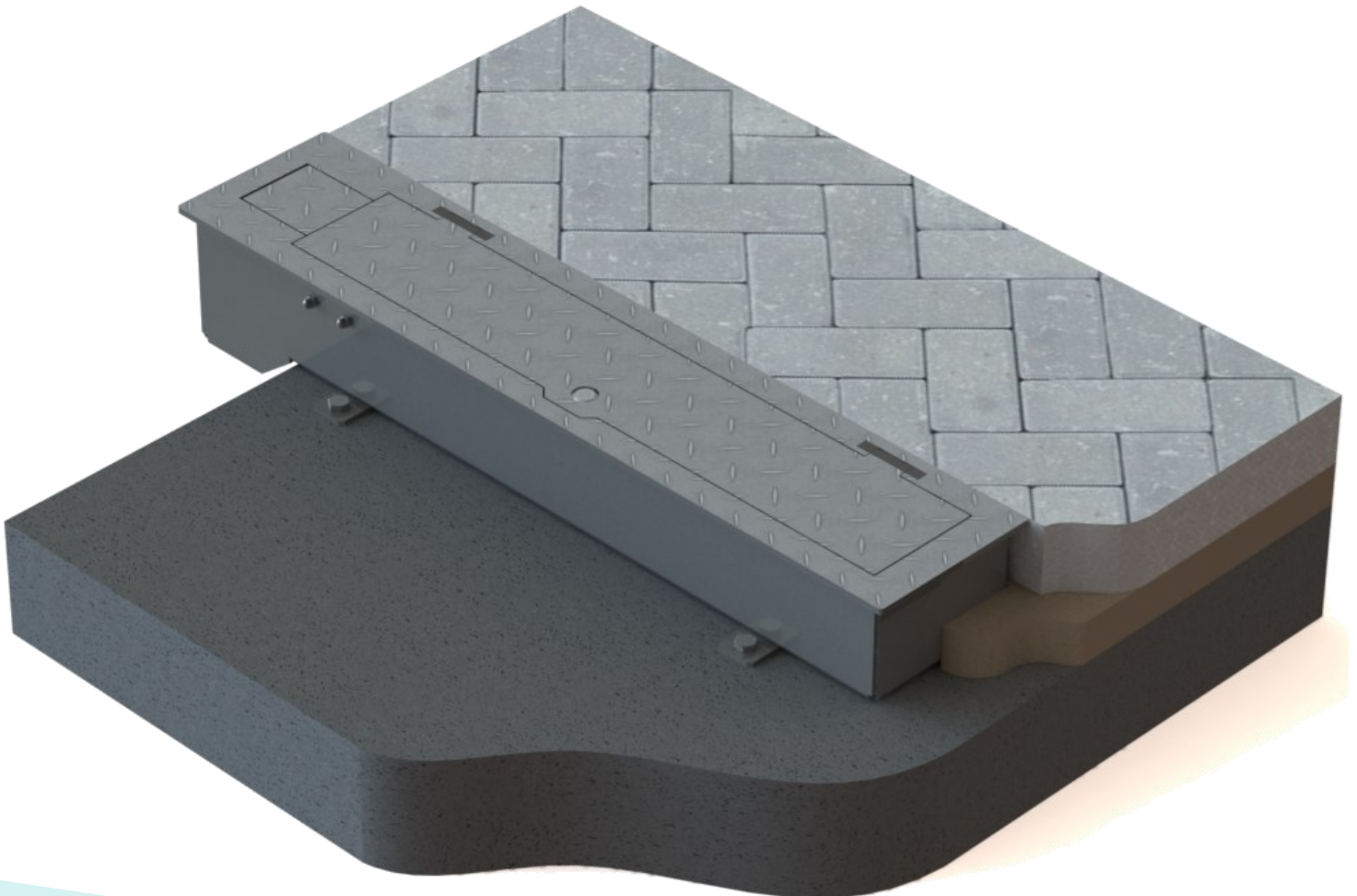
In cases where the surface is severely stained because of severe environmental conditions or scratched due to misuse, it may still be possible to restore the original finish using chemicals such as Oxalic Acid solution. There are many stainless steel polishes available to enhance the surface finish.

We recommend Mister Stainless Ltd. as a provider for stainless steel cleaning products.

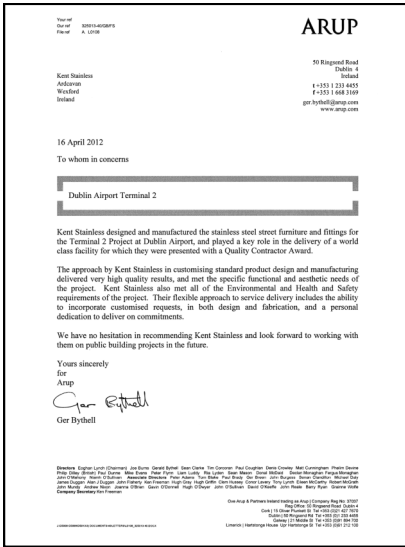


**KENT COFFIN BOLLARD - KCB101/3/FT****Installation of Coffin****Coffin Bollard**

1. Remove Pavement and excavate a hole to minimum dimensions of L1073 x W225mm x D143mm.
2. The Coffin Bollard should be bolted with 4no. M10 bolts into a existing Concrete block under ground .(Size Specified by engineer)
3. The drainage point should not be set into concrete. This should be connected to a drainage system or have efficient space to disperse water.
4. Re-instate the concrete around the base of the Coffin.
5. Apply the paving and make sure it is well bedded in.



**Testimonials**



*“We have no hesitation in recommending Kent Stainless and look forward to working with them on public building projects in the future”*

**- ARUP**



*“Kent Stainless scored highly in all regards again”*

**- BAM**



*“Your timely delivery and seamless integration with main contractor Skanska made the overall project a huge success”*

**- Forward Swindon**



**Kent Stainless Ltd**

Ardcavan, Wexford, Ireland

**TEL NO:** +353 53 9143216

**UK FREEPHONE:** 0800 376 8377

**FAX:** +353 53 9141802

**WEB:** [www.kentstainless.com](http://www.kentstainless.com)

**EMAIL:** [info@kentstainless.com](mailto:info@kentstainless.com)



**Kent**